

LXLC(R)-50~600(mm)

Removable element woltman cold (hot) water meter

This type of water meter can be used for a remote reading transmission system as equipped with a built-in sensor.



Application

--Measuring the volume of cold (hot) water passing through the pipeline

Feature:

- Removable element structure, easy installation and maintenance, register for universal use within this range detachable without Removing the meter from the pipeline;
- Dry-dial, Magnetic drive sensitive action, small pressure loss;
- Vacuum sealed register ensures the dial keep free from fog and Keep the reading clear in a long term service;
- Selected high quality materials for steady & reliable characteristic;
- Technical data conform to international standard ISO 4064.
- For ISO 4064 new standard, the Range Ratio of Q3/Q1 could be R160(WPD)/100/80/50.
- For register performance,it could be applied with glass/brass sealed to prevent fogging.
- All meters would be pre-equipped with reed switch.

Working condition

Water temperature: $0.1^{\circ}\text{C} \sim 50^{\circ}\text{C}$ ($0.1^{\circ}\text{C} \sim 90^{\circ}\text{C}$ for hot water meter)

Water pressure: $\leq 1\text{Mpa}$ (1.6MPa for special requirement)

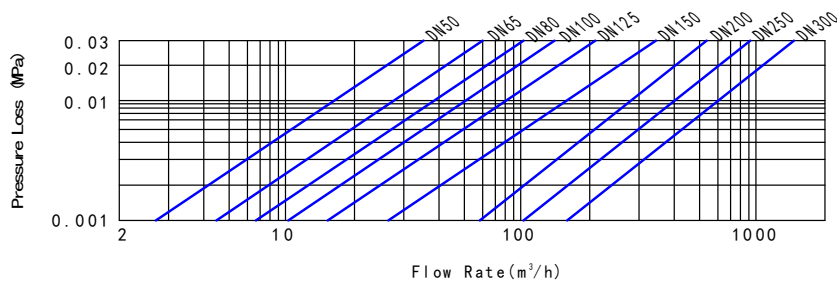
Maximum permissible errors

- (1) in the lower zone from q_{\min} inclusive up to but excluding q_t is $\pm 5\%$
- (2) in the upper zone from q_t inclusive up to and including q_s is $\pm 2\%$ ($\pm 3\%$ for hot water meter)

MAIN TECHNICAL SPECIFICATIONS

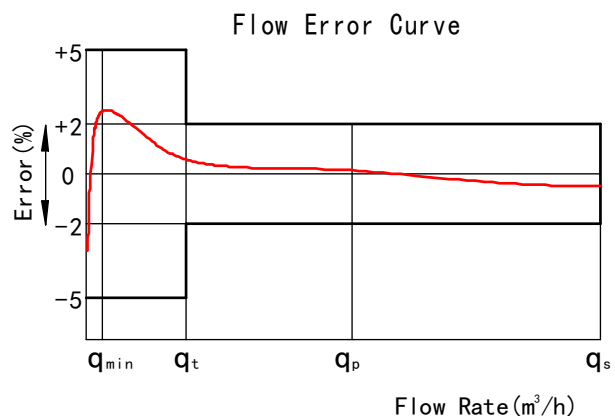
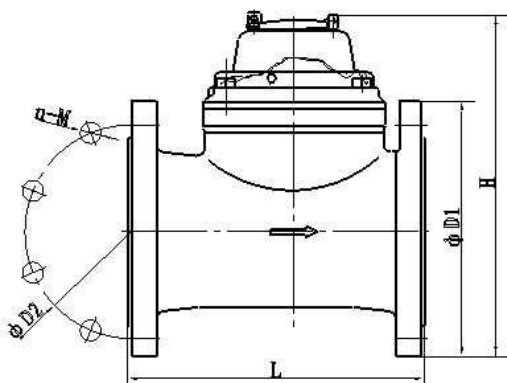
Type	Size (mm)	Class	q _s	q _p	q _t	q _{min}	Min. Reading	Max. Reading
			Overload Flow	Permanent Flow	Transitional Flow	Min. Flow		
			m ³ /h				m ³	
LXLC-50	50	A	30	15	4.5	1.2	0.0005	999,999
		B			3.0	0.45		
LXLC-65	65	A	50	25	7.5	2.0	0.0005	999,999
		B			5	0.75		
LXLC-80	80	A	80	40	12	3.2	0.002	999,999
		B			8.0	1.2		
LXLC-100	100	A	120	60	18	4.8	0.002	999,999
		B			12	1.8		
LXLC-125	125	A	200	100	30	8	0.002	999,999
		B			20	3		
LXLC-150	150	A	300	150	45	12	0.002	999,999
		B			30	4.5		
LXLC-200	200	A	500	250	75	20	0.002	999,999
		B			50	7.5		
LXLC-250	250	A	800	400	120	32	0.02	9,999,999
		B			80	12		
LXLC-300	300	A	1200	600	180	48	0.02	9,999,999
		B			120	18		
LXLC-350	350	A	1600	800	240	64	0.02	999,999,999
		B		1000	160	30		
LXLC-400	400	A	2000	1000	300	80	0.02	999,999,999
		B		1500	200	45		
LXLC-450	450	A	2000	1000	300	80	0.02	999,999,999
		B		1500	200	30		
LXLC-500	500	A	3000	1500	450	120	0.02	999,999,999
		B			300	45		
LXLC-600	600	A	6000	3000	900	240	0.02	999,999,999
		B			600	90		

Pressure Loss Curve



Type	Size	L Length	H Height	Connecting flange		
				φ D1 Outside diameter	φ D2 Bolt circle diameter	Connecting Bolts (n-M)
LXLC-50	50	200	261	165	125	4-M16
LXLC-65	65	200	271	185	145	4-M16
LXLC-80	80	225	279	200	160	8-M16
LXLC-100	100	250	289	220	180	8-M16
LXLC-125	125	250	299	250	210	8-M16
LXLC-150	150	300	319	285	240	8-M20
LXLC-200	200	350	346	340	295	8-M20(1.0MPa)
						12-M20(1.6MPa)
LXLC-250	250	450	450	395(1.0MPa)	350(1.0MPa)	12-M20(1.0MPa)
				405(1.6MPa)	355(1.6MPa)	12-M24(1.6MPa)
LXLC-300	300	500	478	445(1.0MPa)	400(1.0MPa)	12-M20(1.0MPa)
				460(1.6MPa)	410(1.6MPa)	12-M24(1.6MPa)
LXLC-350	350	500	592	505(1.0MPa)	460(1.0MPa)	16-M20(1.0MPa)
				520(1.6MPa)	470(1.6MPa)	16-M24(1.6MPa)
LXLC-400	400	600	631	565(1.0MPa)	515(1.0MPa)	16-M24(1.0MPa)
				580(1.6MPa)	525(1.6MPa)	16-M27(1.6MPa)
LXLC-450	450	600	700	615(1.0MPa)	565(1.0MPa)	20 M24(1.0MPa)
				640(1.6MPa)	585(1.6MPa)	20 M27(1.6MPa)
LXLC-500	500	800	760	670(1.0MPa)	620(1.0MPa)	20-M24(1.0MPa)
				715(1.6MPa)	650(1.6MPa)	20-M30(1.6MPa)
LXLC-600	600	800	880	780(1.0MPa)	725(1.0MPa)	20-M27(1.0MPa)
				840(1.6MPa)	770(1.6MPa)	20-M33(1.6MPa)

NOTE: The flange dimension conforms to ISO7005-2:1988 standard. Order for products of special requirements is also accepted.





LIANYUNGANG TENG YUE ELECTRONIC TECHNOLOGY CO.,LTD
 15 XINLONG ROAD,HAIZHOU ECONOMIC DEVELOPMENT ZONE,LIANYUNGANG,JIANGSU,CHINA

LXLC-50~300 REMOVABLE ELEMENT WOLTMAN WATER METER

Code	Description	Material	QTY
1	Screw For Sealing	Stainless Steel	2
2	Cover With Lid	Assembly	1
3	Sealed Register	Assembly	1
4	Position Pin	Stainless Steel	1
5	Lead Seal Bolt	Stainless Steel	2
6	Adjusting Nut	Brass	1
7	Gasket	Brass	1
8	Flange Cover	GGG40 ductile Iron	1
9	O-ring	Silicon Rubber	1
10	Bush	Brass	1
11	Gasket	Synthetic Rubber	1
12	Adjusting Lever	Brass	1
13	Connecting Lever	MPPO	1
14	Adjusting Plate	MPPO	1
15	Support	MPPO	1
16	Bolt	Brass	1
17	Turbine Component	Assembly	1
18	Rectifier	MPPO	1
19	Screw	Brass	1
20	O-ring	Synthetic Rubber	1
21	Body	GGG40 ductile Iron	1
22	Screw M4×20	Stainless Steel	2
23	Gasket	Stainless Steel	3
24	Retainer	ABS	1
25	Fixing pin	Brass	1
26	Screw	Brass	4
27	Support	ABS	1
28	Bolt M12×35	Stainless Steel	2
29	Gasket	Stainless Steel	4
30	Upper Bearing Plate	Brass	1
31	Upper Bearing	Nylon With Graphite	1
32	Magnet Component	Component	1
33	Transmission Shaft	Stainless Steel	1
34	Sheath	MPPO	2
35	Bevel Gear	Nylon	1
36	Lower Bearing	Nylon With Graphite	1
37	Gasket	Brass	4
38	Screw	Brass	3
39	Nut	Brass	1
40	Gasket	Brass	1
41	Turbine Shaft Hold	Brass	1
42	Turbine Shaft	Tungsten Steel	1

