

S8

INTELLIGENT MODEL



**MAKE
EVERY DROP OF
WATER MORE VALUABLE**

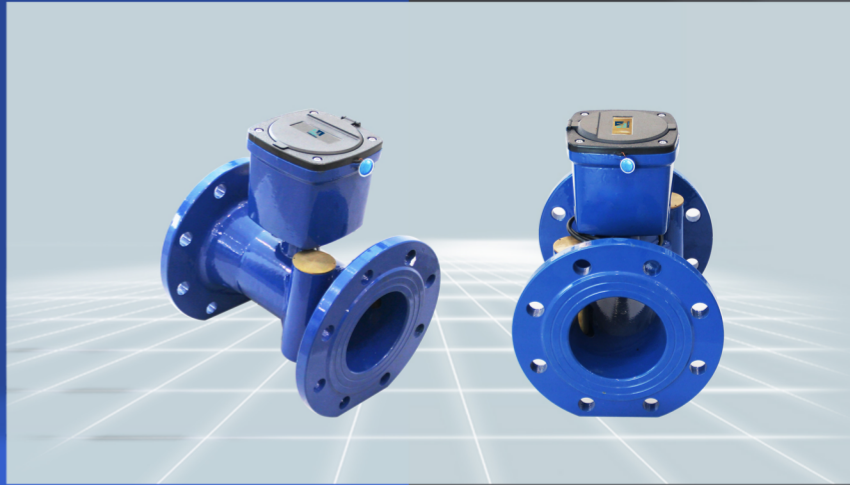
MAKE
EVERY DROP OF
WATER MORE VALUABLE



S8

BULK ULTRASONIC WATER METER

LXC 50-400



APPLICATION

LXC 50-400 Ultrasonic water meter is designed for precise measurement of bulk water consumption of water supply bus, pipe network, industrial consumption of tap water, agricultural irrigation water.

- Have more accurate measurements;
- No moving parts design to reduce wearing;
- Reliable design supports long-term stable operation;
- 9 digits LCD. Total volume and flow rate indication;
- Ready for AMR with wired and wireless communication technologies;
- The measurement accuracy is not affected by impurities or debris in the water.

AMR READY

- Wired:RS485 modbus;
- Wired:Pulse;
- Wireless:LoRaWAN (EU863-870, AS923, AU915-928, US902-928, IN865-867 channel plans);
- Wireless:NB-IoT (CoAP);
- Wireless:GPRS(2G/3G/4G);
- Infrared reading.

TECHNICAL FEATURES

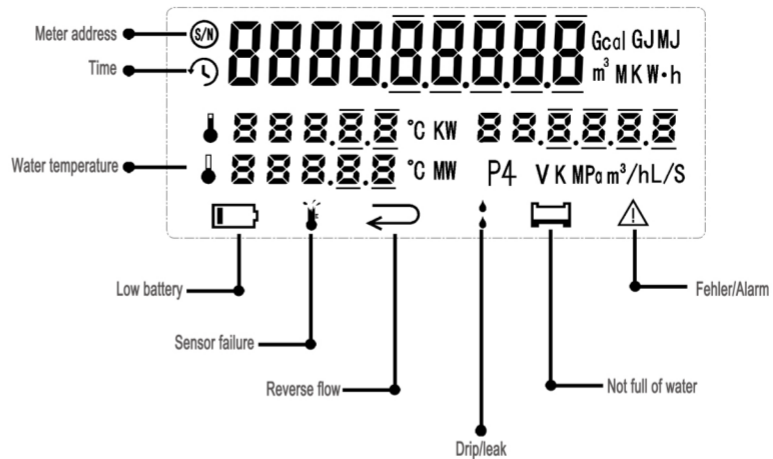
- No measurement of air;
- Q3/Q1 = R250/400 (optional);
- Supports installation at any position or angle;
- IP 68 suitable for outdoor installations;
- Temperature class T30, T50, T70(customizable);
- Environment class E1/M1;
- Nominal pressure PN16;
- Bi-directional flow measurements;
- U10/D5, no need for calming sections;
- Durable composite body;
- Display with error and alarm codes including leakage detection.

WIRELESS AMR INTERFACES



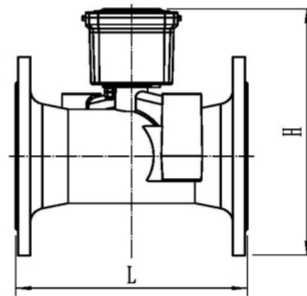
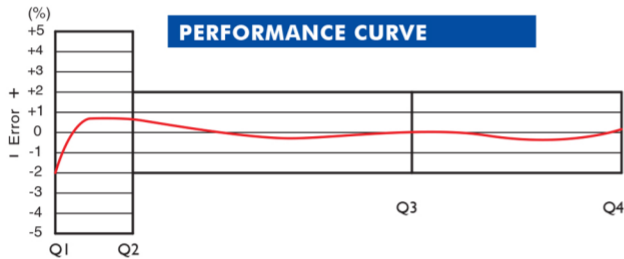
LCD INDICATIONS AND ALARMS

- Meter address;
- Time;
- Water temperature;
- Battery voltage;
- Sensor failure;
- Reverse flow;
- Drip or leak;
- Not full of water;
- Fehler/Alarm

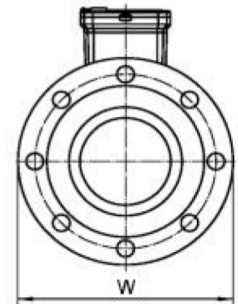


TECHNICAL FEATURES

Nominal diameter		mm	50	65	80	100	125	150	200	250	300	350	400
Overload flow rate	Q4	m³/h	31.25	50	78.75	125	200	312.5	500	787.5	1250	2000	2000
Nominal flow	Q3	m³/h	25	40	63	100	160	250	400	630	1000	1600	1600
Transitional flow	Q2	L/h	0.16	0.256	0.4	0.64	1.024	1.6	2.56	4.03	6.4	10.24	10.24
Min flow	Q1	L/h	0.1	0.16	0.252	0.4	0.64	1	1.6	2.52	4	6.4	6.4
Measuring range	Q3/Q1							R250/400					
Max reading								9999999.9					
Power supply								3.6 V					



Diameter	Unit	50	65	80	100	125	150	200	250	300	350	400
L	mm	200	200	225	250	250	300	350	450	500	500	600
W	mm	170	185	200	220	250	285	340	405	460	520	580
H	mm	215	220	235	255	285	335	405	470	525	520	580
Flange Diameter		170	185	200	220	250	285	340	405	460	520	580
Bolt Circle Diameter		125	145	160	180	210	240	295	355	410	470	525



Make every drop of water more valuable

