

Wireless AMR Water Meter (LoRaWAN)

User's Manual and Installation Guide

DN15-25



I .General

It is a wireless smart water meter that can automatically transmit water meter data wirelessly and remotely control smart switches. Please read this manual carefully before use, so as to use it to best advantage and avoid unnecessary loss.

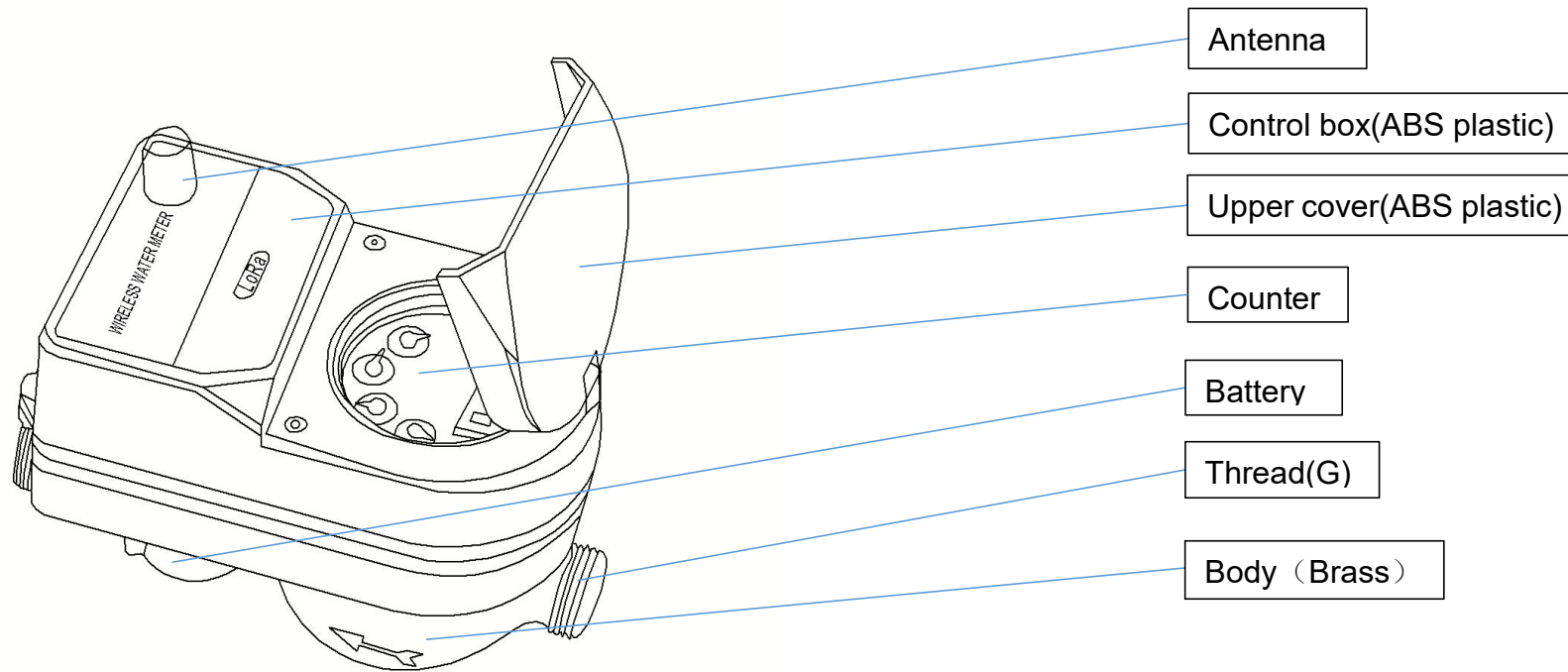
Features:

- ▲ The water meter can automatically transmit data every day, and the administrator can remotely access the water meter data on the PC side;
- ▲ To ensure the reliability of water meter, valve it will periodically rotate once a month. When the water meter is disturbed by a magnetic field, the valve will automatically close;
- ▲ The frequency of uploading data can be changed according to actual needs
- ▲ When there is a user who refuses to pay, we can remotely turn off his water meter valve to stop water supply until he recharges again.

II .Composition

It is composed of Valve ball,antenna, calculator, pipe fittings, etc., detailed as follows.

DN15-25 Wireless Water Meter(LoRaWAN)



III. Technical Parameters

DN mm	Measuring range	Max flow Q4	Nominal flow Q3	Transitional flow Q2	Min flow Q1
		m ³ /h			
15	R100	3.125	2.5	0.04	0.025
20	R100	5	4	0.064	0.04
25	R100	7.875	6.3	0.1	0.063

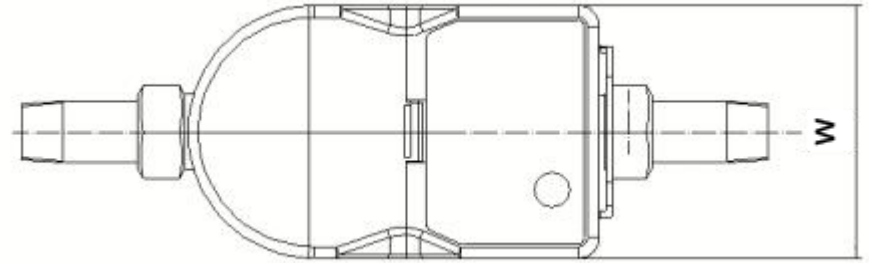
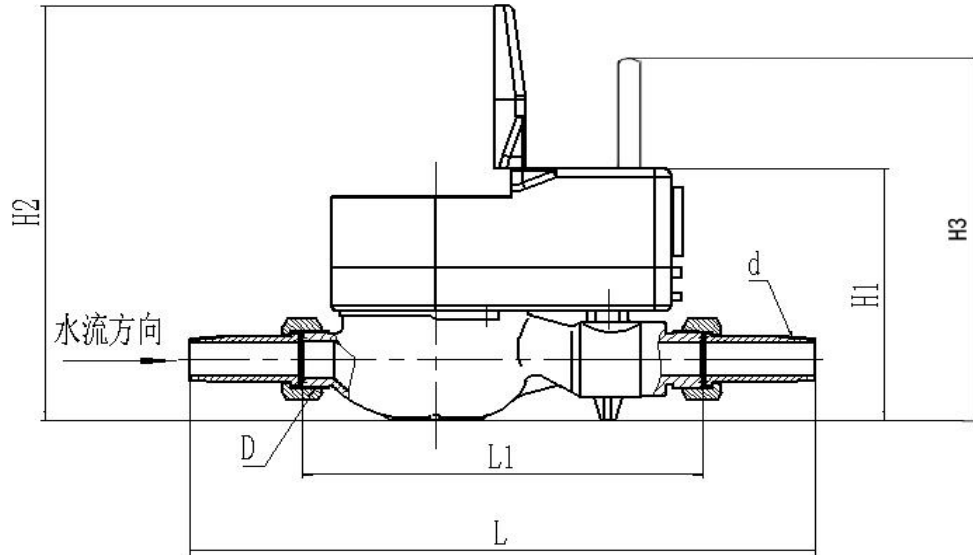
Communication parameters

Data name	Parameter
Static power	15uA
Power consumption	60mA@RX
Control box	Unitary
Trigger mode	Touch
Reporting interval	1~144 hours can be set (The default is to send data once a day)
Sending bit	0.01m ³

Power supply

3.6V DC 8.5Ah

IV.Outline Dimension



DN	L	L1	W	H1	H2	H3	Connection thread	
							d	D
mm								
15	258	165	90	120	200	165	R1/2	G3/4
20	299	195	90	120	200	165	R3/4	G1
25	345	225	90	120	200	165	R1	G1 1/4

Note: The above technical parameters are subject to change for customization.

V .Notices for Installation

- ★ Flush pipes before installation to avoid gravels and other foreign objects;

- ★ Install a valve and filter before the water meter;

- ★ Do not touch the electrical part or pull wires to avoid damage during installation;

- ★ Reserve an adequate space for maintenance during installation;

- ★ When the water meter is installed in a horizontal or inclined way, the ultrasonic flow probe on pipes shall be placed horizontally, and when installed in a vertical way, make sure the water flows from down to up.

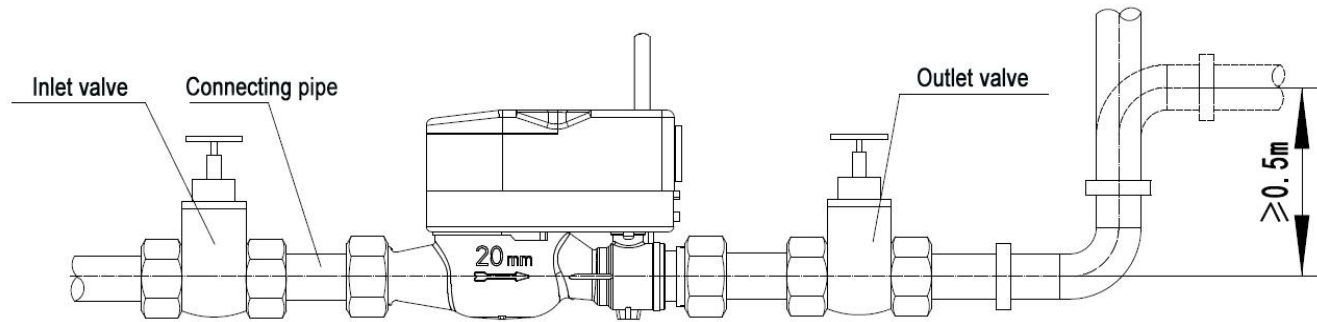
- ★ Please note that the arrow direction on the pipe shall be consistent with the water flow direction during installation;

- ★ The joint washer shall be installed correctly to avoid misaligned washer blocking water and affecting accuracy of the water meter;

- ★ The water meter shall not be installed at the place that may be affected by strong mechanical vibrations;

Special Notices: 1. Be sure to install an on-off valve and filter before the water meter and another on-off valve is recommended after it for maintenance. In order to prevent backflow, a check valve should be installed in front of or behind the water meter.

Installation Figure:



★ Before using this water meter, the pipe must be filled with water, otherwise it will lead to inaccurate or even non-measurement.

★ When installing the water meter, should be reserved length of DN*10 in front of the water meter. Or should be reserved the length of DN*5 behind the water meter.

★ The water meter shall refresh the display at every 4s, and read the water meter (including the starting value and end value) 4s at least after the valve is closed when test the water meter, otherwise the testing results may be affected;

★ Please make sure the medium flow is within the flow range of the water meter during test and use, otherwise it may result in damage to the water meter;

★ In case of any malfunction (e.g. metering failed, etc.) during use, please contact the related management department immediately and do not repair it by yourself;

★The product is designed with a disposable anti-disassembly seal which shall be removed only by appointed personnel, or otherwise it shall be excluded from the free after-sales service.