

Bulk Prepaid Water Meter User's Manual & Installation Guide DN50-300



I .Overview

This is a prepaid smart water meter that can control limited water supply. It can pay the fee first and then use the water. Please read this manual carefully before use, so as to use it to best advantage and avoid unnecessary loss.

▲ When the surplus is 0.0m^3 , the water meter will automatically close the valve to stop water supply; You can set an alarm value, when the remaining amount reaches the alarm value, the valve will close, you can continue to use the card until 0.00m^3 .

▲ After the water meter and the user card are bound, there will be an encryption protection mechanism, and the user card will only be recognized by the bound water meter.

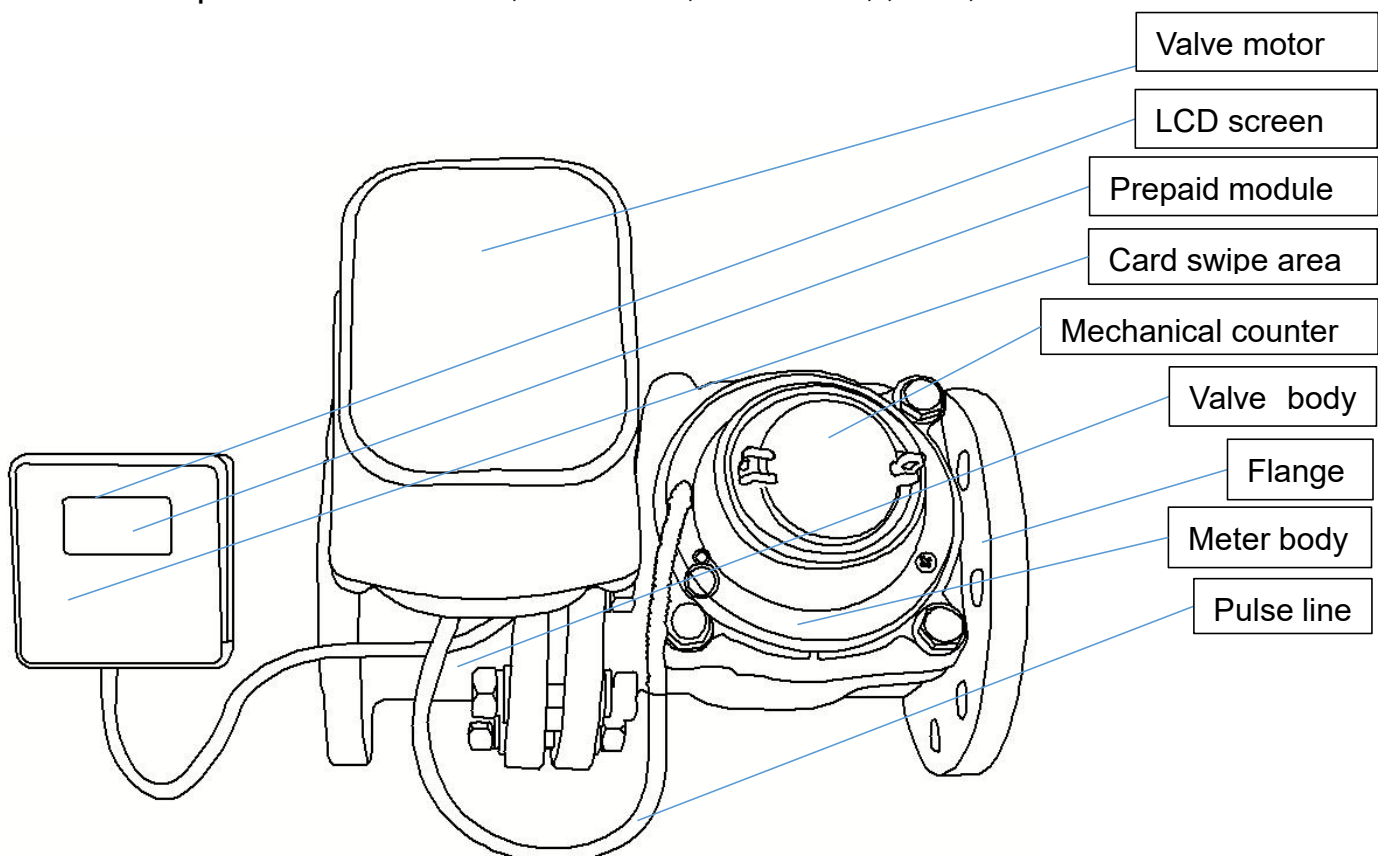
▲ The water meter will automatically change the unit price of water according to the user's monthly water consumption, and the range can be set.

▲ The built-in valve of the water meter will be automatically Switch twice a month, the effect of this is to clear the valve dirt.

▲ Moreover, when the water meter is attacked by an external magnetic field, the valve will be automatically closed to protect water resources.

II .Composition

It is composed of Valve ball,user card , calculator, , etc., detailed as follows.



III. Display Functions

Using the user card in the touch area to read the card repeatedly will switch between different display interfaces.

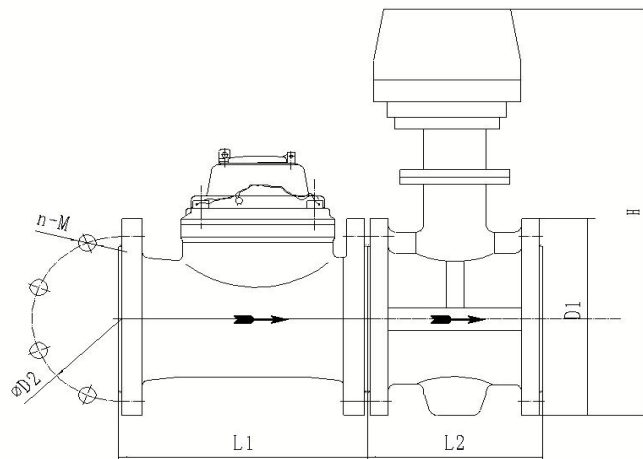
Display content	LCD	Explain
Credit card status	good	Read the card successfully
	Err - XX ERR.	Card swiping failure(XX: status code)
Old card	OLd	User's old card
Reading the card	-- r d --	The water meter is reading the card
Cumulative error	XXXXXX	Cumulative error
Surplus water	BAL. XXX.Xm ³	The amount of water remaining in the meter
Total water use	XXX.X CONSUM.U.P.	Total water use
Vendor code	C - XXX	XXX: Vendor code
Area code	XX	0~9999
ID1	CID-XX	S/N First screen
ID2	XXXXXX	S/N Second screen
Firmware version	PHXXXX	Firmware version
Hardware coding	HD - -XX	Hardware coding
Battery voltage	3.61V	Battery voltage
Program version	PX.XX	Program version
Amount of hoarding	CUM. 99999.9m ³ RST.	Max. 99999.9m ³
Alarm volume	BAL. 2.0m ³ RST.	Default 2.0m ³ (can be set)
Current purchase	XXX.X	When the time to buy water
Valve duration	XX	XX: Duration (unit: second)
Pulse equivalent	0.01m ³	0.01m ³ (can be set)

Action display	OpXX/CLXX	Valve on/Valve off
Operating current	CLXX	Valve operating current
Total consumption	CUM. XX.Xm ³ CONSUM.	Total water consumption

IV. Technical Parameters

Type	Size (mm)	R (Q ₃ /Q ₁)	Q ₄	Q ₃	Q ₂	Q ₁	Min. Reading	Max. Reading
			Overload Flow	Permanent Flow	Transitional Flow	Min. Flow		
m ³ /h							m ³	
LXLC-50	50	R50	31.25	25	0.8	0.45	0.0005	999,999
LXLC-65	65	R50	50	40	1.28	0.75	0.0005	9999,999
LXLC-80	80	R50	78.75	63	2	1.2	0.002	9,999,999
LXLC-100	100	R50	125	100	3.2	1.8	0.002	9,999,999
LXLC-125	125	R50	200	160	5.12	3	0.002	9,999,999
LXLC-150	150	R50	312.5	250	8	4.5	0.002	9,999,999
LXLC-200	200	R50	500	400	12.8	7.5	0.002	9,999,999
LXLC-250	250	R50	787.5	630	20.16	12.6	0.02	9,999,999
LXLC-300	300	R50	1250	1000	32	20	0.02	99,999,999

V. Outline Dimension



Nominal (mm)	Length L1 (mm)	Valve L2 (mm)	H (mm)	Connection thread GB/T17241.6-1998		
				D1	D2	n-M
50	200	108	383	165	125	4-M16
65	200	110	433	185	145	4-M16
80	225	114	450	200	160	8-M16

100	250	127	480	220	180	8-M16
125	250	140	515	250	210	8-M16
150	300	140	543	285	240	8-M20
200	350	152	610	340	295	12-M20(1.6MPa)
250	450	165	693	405	355	12-M24(1.6MPa)
300	500	176	766	460	410	12-M24(1.6MPa)

Note: The above technical parameters are subject to change for customization.

VI. Notices for Installation

- ★ Flush pipes before installation to avoid gravels and other foreign objects;
- ★ Install a valve and filter before the water meter;
- ★ Do not touch the electrical part or pull wires to avoid damage during installation;
- ★ Reserve an adequate space for maintenance during installation;
- ★ When the water meter is installed in a horizontal or inclined way, the ultrasonic flow probe on pipes shall be placed

horizontally, and when installed in a vertical way, make sure the water flows from down to up.

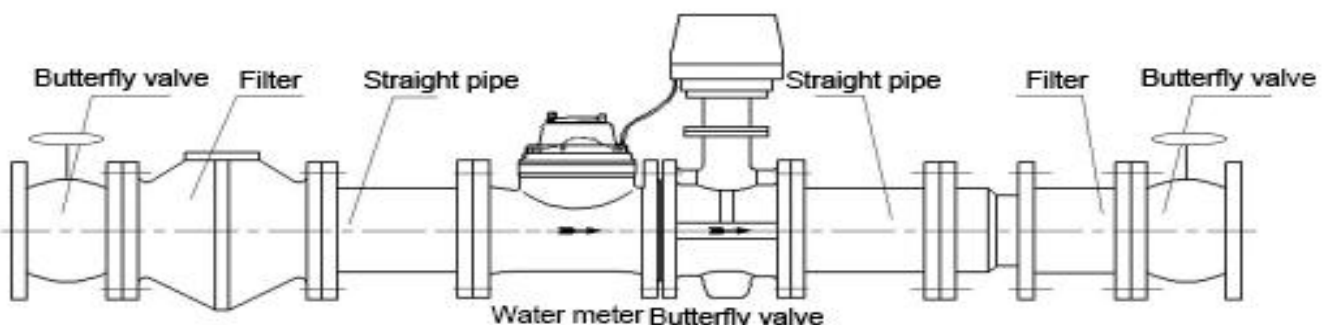
- ★ Please note that the arrow direction on the pipe shall be consistent with the water flow direction during installation;

- ★ The joint washer shall be installed correctly to avoid misaligned washer blocking water and affecting accuracy of the water meter;

- ★ The water meter shall not be installed at the place that may be affected by strong mechanical vibrations;

Special Notices: 1. Be sure to install an on-off valve and filter before the water meter and another on-off valve is recommended after it for maintenance. In order to prevent backflow, a check valve should be installed in front of or behind the water meter.

Installation Figure:



- ★ Before using this water meter, the pipe must be filled with water, otherwise it will lead to inaccurate or even non-measurement.
- ★ When installing the water meter, should be reserved length of DN*10 in front of the water meter and DN*5 behind the water meter.
- ★ The water meter shall refresh the display at every 4s, and read the water meter (including the starting value and end value) 4s at least after the valve is closed when test the water meter, otherwise the testing results may be affected;
- ★ Please make sure the medium flow is within the flow range of the water meter during test and use, otherwise it may result in damage to the water meter;
- ★ In case of any malfunction (e.g. metering failed, etc.) during use, please contact the related management department immediately and do not repair it by yourself;
- ★ The product is designed with a disposable anti-disassembly seal which shall be removed only by appointed personnel, or otherwise it shall be excluded from the free after-sales service.